



DEEP-WELL MAGNETIC LED BLOCK

Have you ever been troubled by the residual beads when extracting nucleic acid from complex samples?

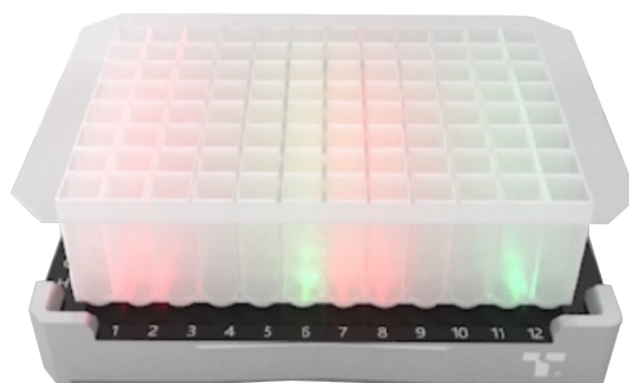
Have you ever been worried about adding samples to the wrong wells or sucking extracted products from the wrong ones?

As the lead setter of the Chinese national industry standard for the magnetic bead method for nucleic acid extraction (YY/T1717-2020), Tianlong has always insisted on technological innovation. To meet the needs of our customers, Tianlong independently developed the "Deep-Well Magnetic LED Block", working perfectly with Tianlong nucleic acid extraction 96 deep-well plates. Not only can this new awesome gadget accurately highlight the wells to add samples and to suck extracted products, but it can also effectively improve the operation accuracy with high efficiency!

Accurate

Awesome

Easy to use



MAGNETIC SUCTION

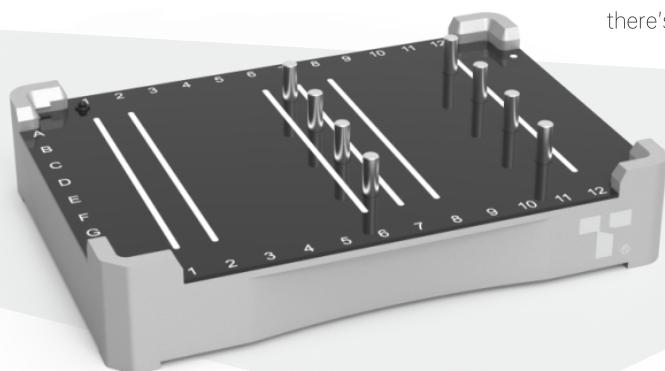
Higher purity of the products for better accuracy of the results!

LED

Awesome just to be user-friendly – showing you the location of samples and extracted products!

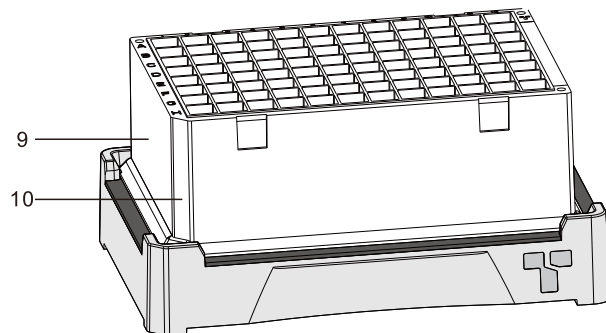
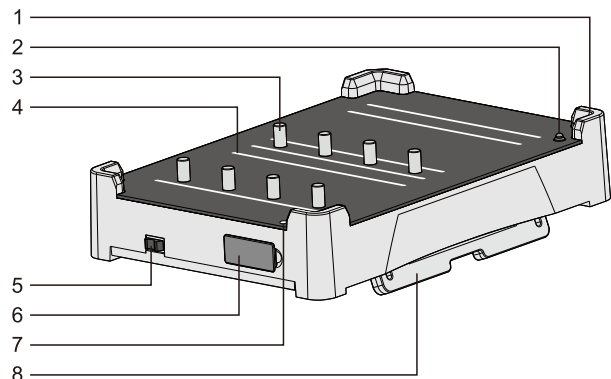
EASY-TO-USE

You can adjust the tilt of the base to the perfect angle for your use, and there's a considerate light design to show the charging status.



Bring Technology to Life!

FUNCTIONAL OVERVIEW



No.	Name	Function
1	Location corner	Locate the loading position of the deep-well plate.
2	Micro-switch	When the deep-well plate is properly loaded, the micro-switch will be turned on and the prompt light will be on; when the deep-well plate is unloaded, the micro-switch will be turned off and the prompt light will be off.
3	Magnetic rod	Concentrate the magnetic beads at the bottom corner of the deep-well plate via magnet effect.
4	Prompt light strip	Prompt users the target well position(s).
5	Prompt light switch key	Switch two prompt light modes to meet different experimental requirements.
6	Charge port	Connect interface for charging line.
7	Charging lamp	Red light (charging); green light (fully charged).
8	Block bracket	Adjust the block angle to meet the usage habits of different users.
9	Deep-well plate (DWP)	Consumables for carrying samples and reagents.
10	DWP unfilled corner	Locate the loading direction of the deep-well plate.



Xi'an Tianlong Science and Technology Co., Ltd.
 Address: No. 389 Zhuhong Road, Xi'an Economic & Technological
 Development Zone, Xi'an City, Shaanxi Province, China
 Tel: +86-29-8667 5008
 Fax: +86-29-8221 6680
<http://en.medtl.com>
 Email: medtl@medtl.com

Suzhou Tianlong Bio-technology Co., Ltd.
 Address: 5F, Block 7, Northwest Zone of Nanopolis Suzhou, No.99 Jinji Lake
 Avenue, Suzhou Industrial Park, Suzhou City, Jiangsu Province, China
 Tel: +86-512-6252 7726
 Fax: + 86-512-6295 6337
<http://www.medtl.cn>

